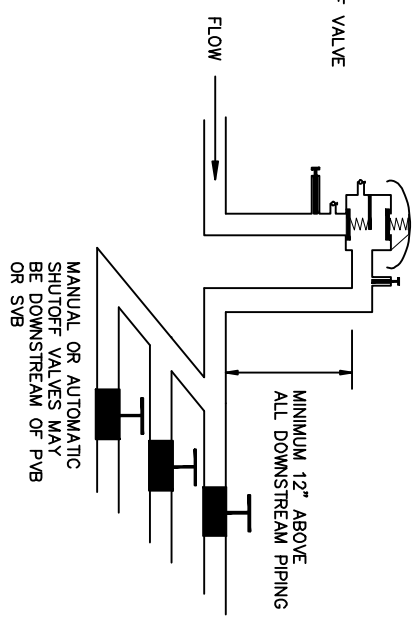
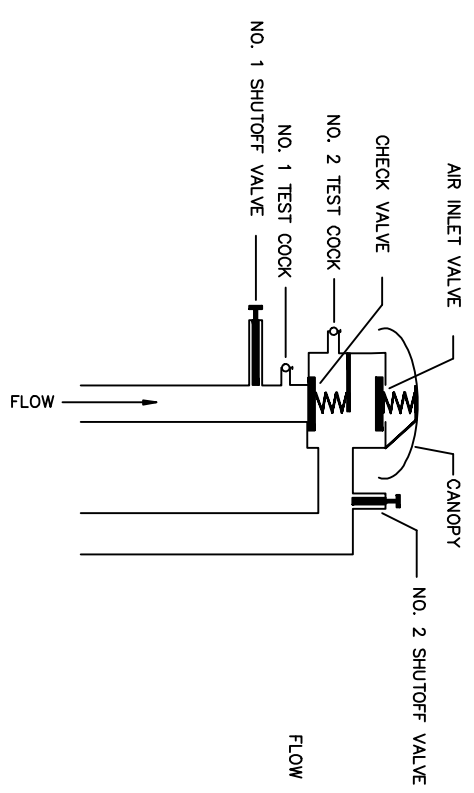
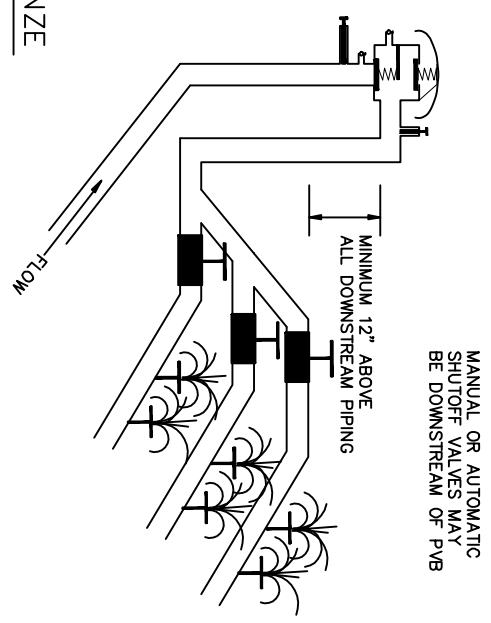


- NOTES:**
1. 2' COPPER OR BRONZE INLET OR OUTLET.
  2. SUPPORT MEASURES MAY BE REQUIRED PARTICULARLY IF PVB IS HIGHER THAN 12" OFF GROUND.
  3. IF METER BOX IS AT LOW CURB, EXTEND SERVICE PIPING TO A HIGHER ELEVATION, SUCH THAT PVB IS 12" ABOVE DOWNSTREAM PIPING.



TYPICAL PRESSURE VACUUM  
BREAKER 1/2" THRU 2" BACKFLOW  
PREVENTER ABOVE GROUND

<b>CHARLESTON COMMISSIONERS OF PUBLIC WORKS</b>			
<b>PRESSURE VACUUM BREAKER</b>			
APPROVED BY:	DATE:	DRAWING NO.	
CPW	NOV 2000	35	
SCALE:	REVISED:		
NTS	NOV 2011		