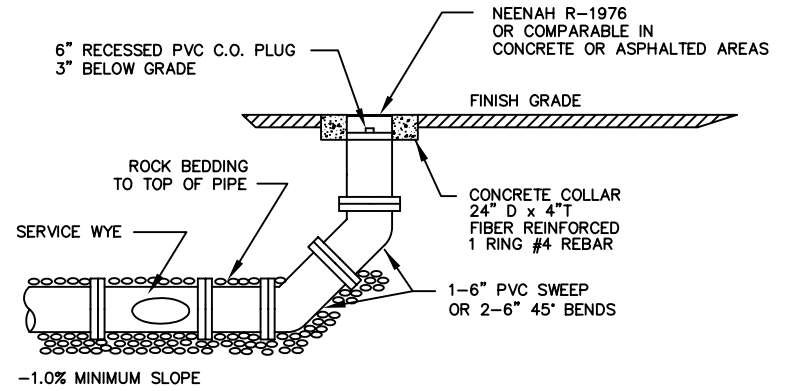
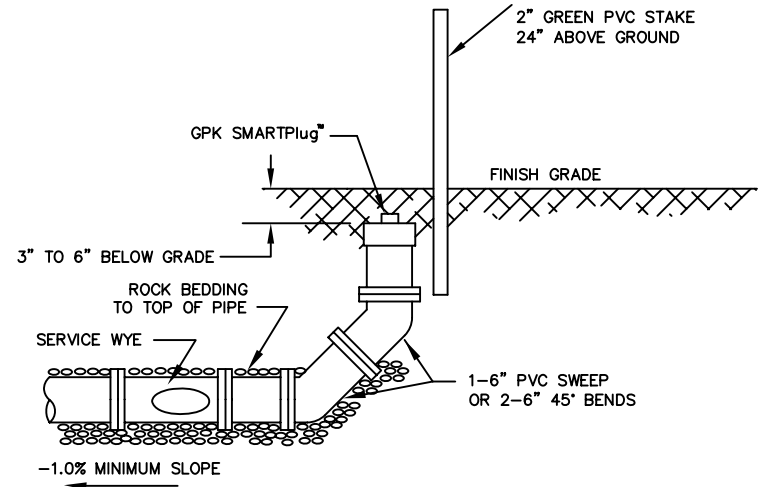


SERVICE CONNECTION AND
CLEANOUT INSTALLATION
FOR SINGLE AND DOUBLE WYES



CLEANOUT IN PAVEMENT



CLEANOUT IN LANDSCAPED AREA

SERVICE NOTES:

1. SERVICE LINE SHALL BE ON SUCH A GRADE THAT WILL PERMIT SERVICING OF PROPERTY. MINIMUM GRADE SHALL BE 1.0%; MAXIMUM GRADE SHALL BE 50%.
2. NO VERTICAL STACKING SHALL BE ALLOWED.

CHARLESTON WATER SYSTEM

SERVICE CONNECTION AND CLEANOUT

APPROVED BY: CWS	DATE: MAR 2000	DRAWING NO. 54
SCALE: NTS	REVISED: FEB 2010	